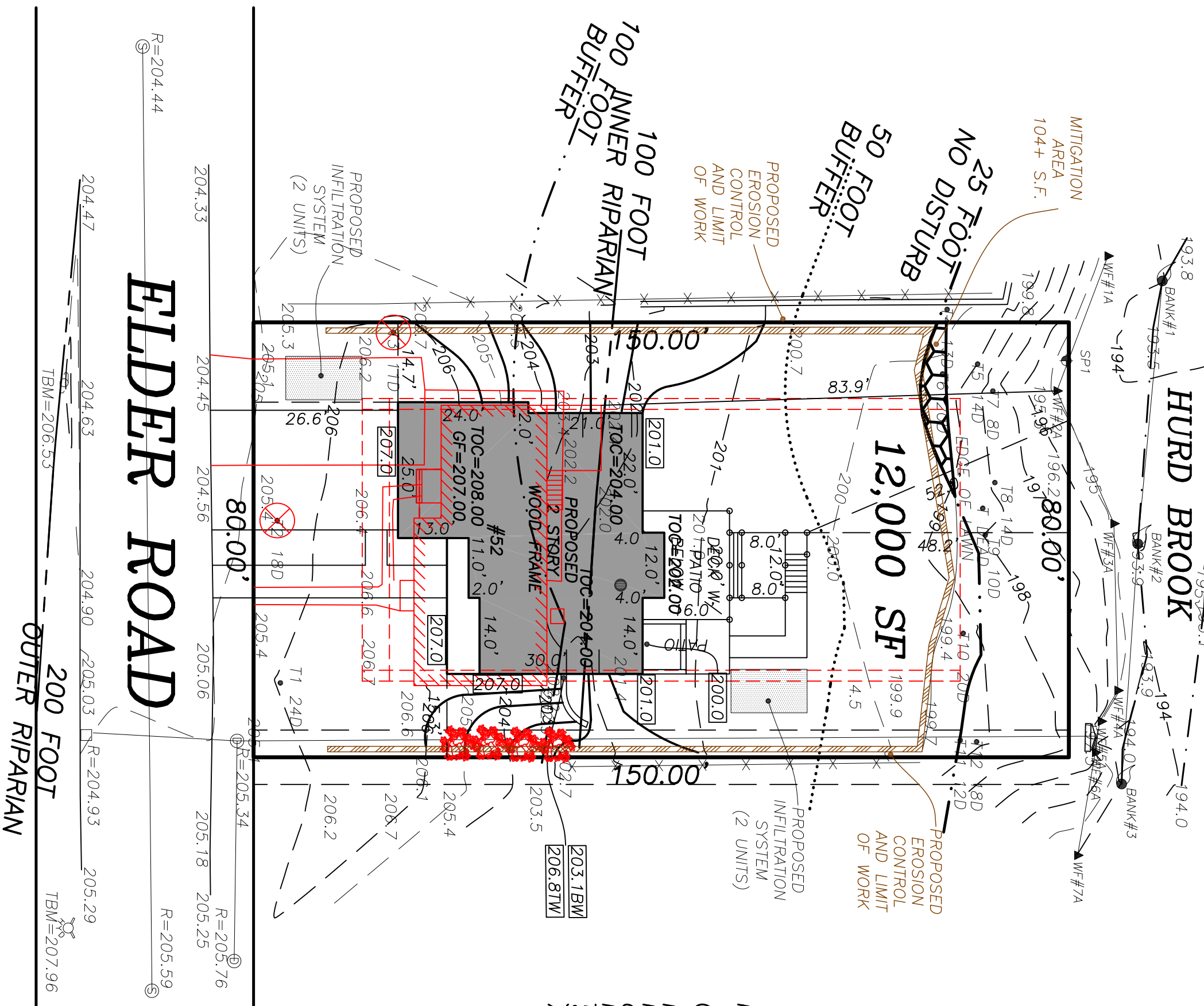


WETLAND FLAGS SHOW HERON WERE PLACED BY LEAH BASBANES, AND LOCATED IN THE FIELD BY FIELD RESOURCES INC.

← FLOW



I CERTIFY THAT THE PARCEL SHOWN HERON LIES WITHIN A ZONE "X", AREAS OUTSIDE THE 0.2% ANNUAL CHANCE FLOODPLAIN, AS SHOWN ON THE FLOOD INSURANCE RATE MAP FOR THE TOWN OF NEEDHAM, MASSACHUSETTS, COMMUNITY PANEL NO. 255215 0036 E, MAP NUMBER 25021C 0036 E EFFECTIVE DATE: JULY 17, 2012.

AREA WITHIN THE INNER RIPARIAN=6,986 SF
 EXISTING IMPERVIOUS WITHIN THE INNER RIPARIAN = 0 SF
 PROPOSED IMPERVIOUS WITHIN THE INNER RIPARIAN = 696 SF
 NET INCREASE OF IMPERVIOUS WITHIN THE INNER RIPARIAN = 696 SF

AREA WITHIN THE OUTER RIPARIAN = 5,014 SF
 EXISTING IMPERVIOUS WITHIN THE OUTER RIPARIAN =2,167 SF
 PROPOSED IMPERVIOUS WITHIN THE OUTER RIPARIAN =2,384 SF
 NET INCREASE OF IMPERVIOUS WITHIN THE OUTER RIPARIAN = 217 SF

AREA WITHIN THE 25 FOOT NO DISTURB = 1,672 SF

AREA WITHIN THE 100 BUFFER = 6181 SF
 (INCLUDES 2,070 SF BETWEEN 25 AND 50 FOOT BUFFERS)

EXISTING BUILDING WITHIN 100' BUFFER = 126 SF
 PROPOSED BUILDING WITHIN 100' BUFFER = 979 SF
 INCREASED BUILDING FOOTPRINT WITHIN 100' BUFFER = 853 S.F.

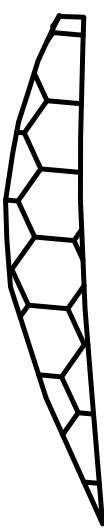
EXISTING IMPERVIOUS WITHIN 100' BUFFER = 243 SF
 PROPOSED IMPERVIOUS WITHIN 100' BUFFER=1,204 SF
 INCREASE IMPERVIOUS WITHIN 100' BUFFER= 961 SF

PROPOSED BUILDING FOOTPRINT = 2,031 SF
 (2,031 S.F. X 1") / 12 = 169.25 Cu. Ft.

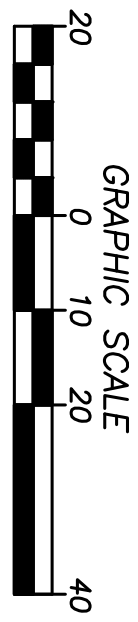
MITIGATED WITH 4 CULTEC CONTRACTOR 150 HDXL RECHARGER DRYWELL CHAMBERS (OR SUITABLE REPLACEMENT) CAPACITY OF 53.79 CU FT EACH, (4.89 CF/FT X 11') RECHARGE WILL MITIGATE COMPLETELY FOR A 1" STORM FOR SEE DRYWELL DETAIL FOR SPECIFICATIONS AND PLAN FOR LOCATIONS AS SHOWN.

LEGEND:

- ⊗ TREE TO BE REMOVED
- ⊗ PROPOSED TREE
- TBM..... TEMPORARY BENCH MARK
- R=..... RIM ELEVATION
- TOC..... TOP OF CONCRETE
- GF..... GARAGE FLOOR
- ⊙..... SEWER MANHOLE
- ⊙..... GAS SHUT OFF
- ⊙..... WATER SHUT OFF
- ⊙..... UTILITY POLE
- 201.55..... EXISTING SPOT GRADE
- 201.55..... PROPOSED SPOT GRADE
- S..... SEWER
- D..... DRAIN
- W..... WATER
- 201..... EXISTING CONTOURS
- 201..... PROPOSED CONTOURS
- 201..... PROPOSED EROSION CONTROL LINE



MITIGATION OF 25 FOOT BUFFER 104+ S.F. TO BE PLANTED WITH (4) Highbush blueberry (*Vaccinium corymbosum*)



JUNE 25, 2020

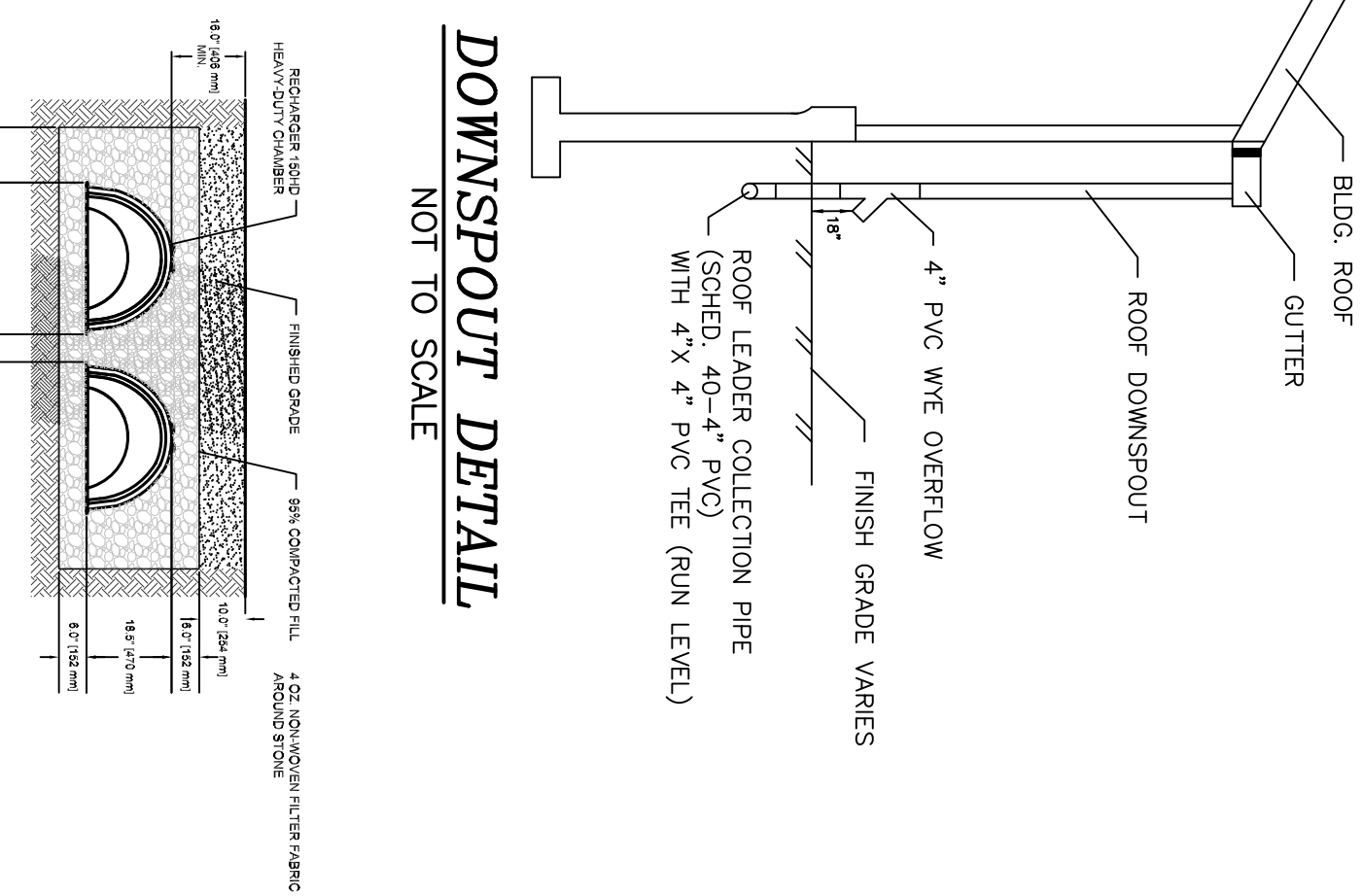
JOB NO. 031-20

Field Resources, Inc.
 LAND SURVEYORS

CONSERVATION COMMISSION
 PLAN OF LAND
 52 ELDER ROAD
 NEEDHAM, MASS.

JUNE 10, 2020 SCALE 1"=20'
 P.O. BOX 324 281 CHESTNUT ST.
 AUBURN, MA NEEDHAM, MA.
 508 832 4332 781 444 5936
 fieldresources@hotmail.com

DOWNSPOUT DETAIL
 NOT TO SCALE



INFILTRATION SYSTEM DETAILS
 NOT TO SCALE

